

Macadam Sconce

skill level • basic electrician

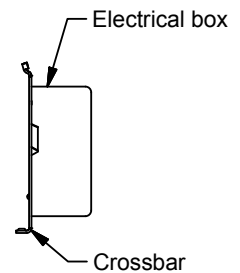
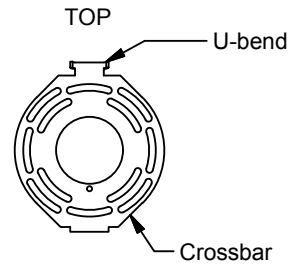
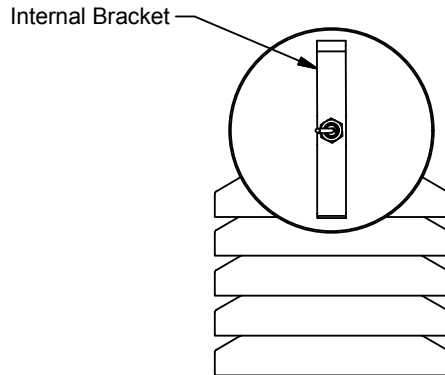
installation instructions

For a safe installation make sure that the electrical box is securely mounted to a structural member of the building. This fixture is suitable for damp locations.

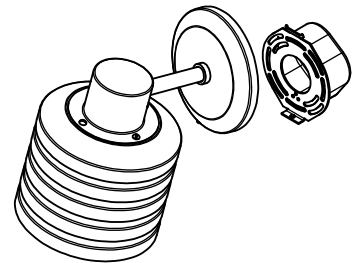
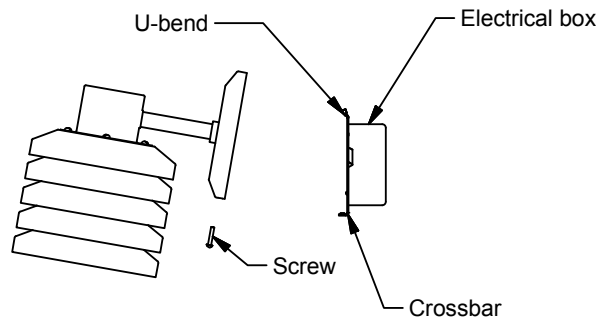
• toolbox



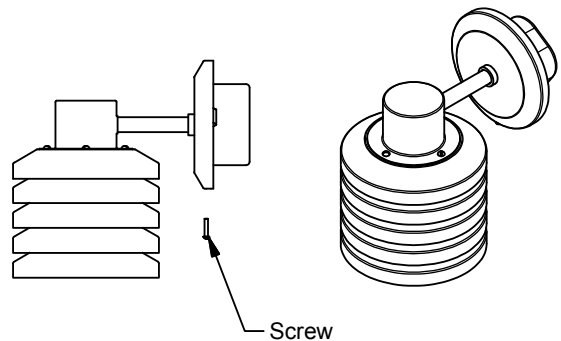
1. The mounting hardware is designed to allow an internal bracket to hook on the crossbar and hold the fixture in place using one screw through the bottom of the canopy.
2. Position the crossbar as shown with the U-bend at the top and attach the crossbar to the electrical box using the screws supplied with the electrical box.



3. Make wiring connections in accordance with local electrical codes. See "Important Information" on reverse side.



4. Position the fixture so that the top of the internal bracket hooks into the u-bend of the crossbar.
5. Lower the fixture canopy until the fixture is hanging on the wall by the internal hook.
6. Insert screw through the bottom of the canopy hole. Then turn screw clockwise until the screw is fully seated and the canopy is held firmly in place.



Complete!

REJUVENATION