

REJUVENATION

www.rejuvenation.com

38-8.3-N-EV4

ELAN VITAL Floor Mounted Bath Set with Hand Shower

Hand Shower Flow Rate: 1.75 GPM

Note: Some building codes may require remote pressure balance valves for anti-scald



Meets the applicable requirements of ASME A112.18.1-2005/CSA B125.1-05, entitled "Plumbing Supply Fittings"

WATERMARK

350 Dewitt Ave Brooklyn NY 11207 USA

REJUVENATION

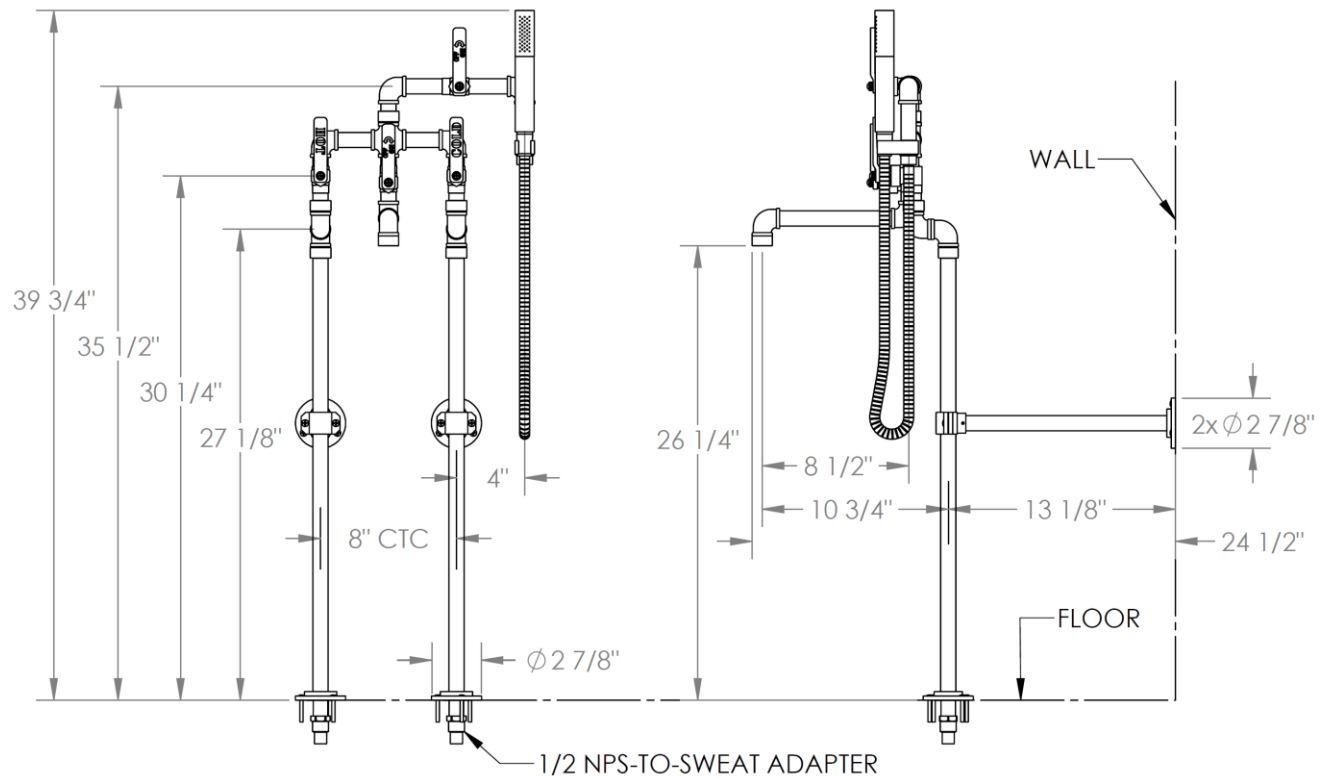
www.rejuvenation.com

38-8.3-N-EV4

ELAN VITAL Floor Mounted Bath Set with Hand Shower

Hand Shower Flow Rate: 1.75 GPM

Note: Some building codes may require remote pressure balance valves for anti-scald



Meets the applicable requirements of ASME A112.18.1-2005/CSA B125.1-05, entitled "Plumbing Supply Fittings"

WATERMARK

350 Dewitt Ave Brooklyn NY 11207 USA