

# REJUVENATION

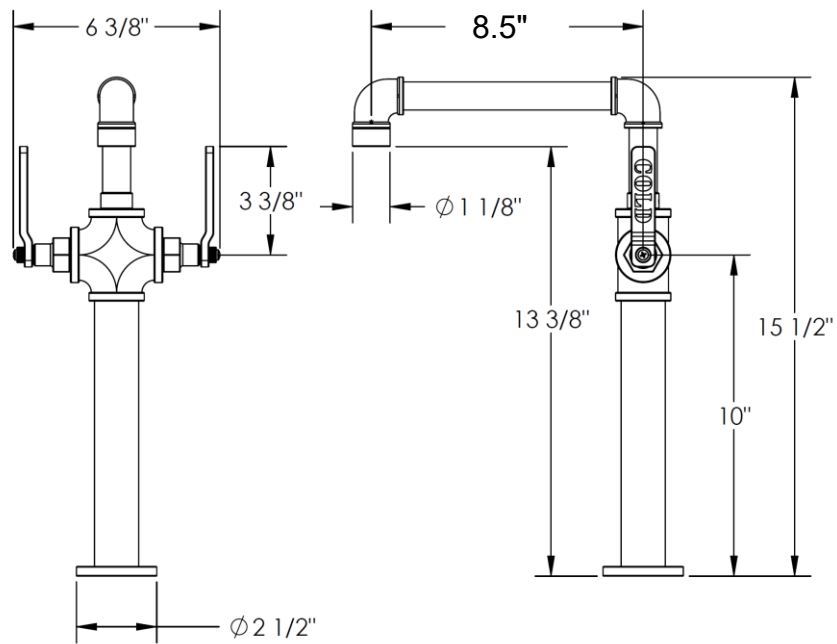
www.rejuvenation.com

**38-7.2-N-EV4**

**ELAN VITAL**

Deck Mounted Single Hole Kitchen Faucet

Flow Rate: 1.75 GPM



Meets the applicable requirements of ASME A112.18.1-2005/CSA B125.1-05, entitled "Plumbing Supply Fittings"

## WATERMARK

350 Dewitt Ave Brooklyn NY 11207 USA