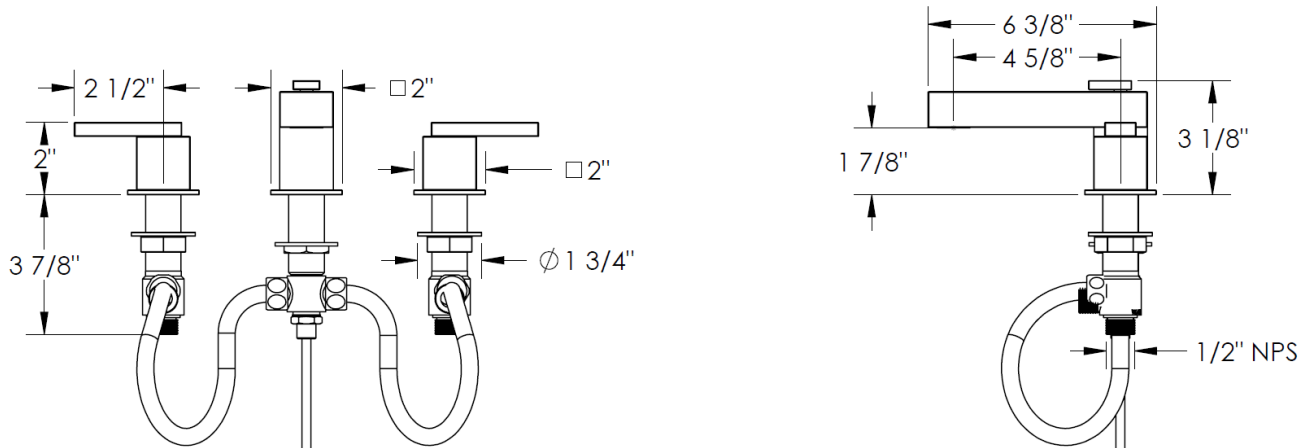


FEATURES

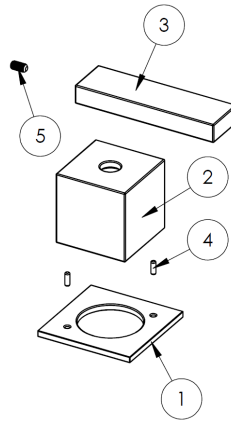
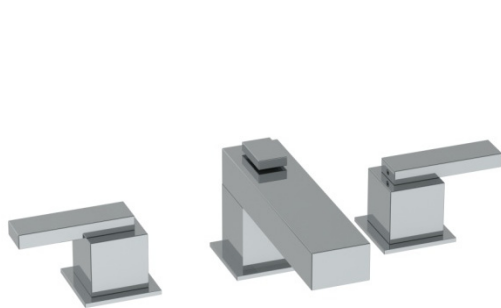
- ¼ turn washerless ceramic disc valve cartridges
- Flexible hose connection for 8" to 16" spread installations
- Flow rate 1.5 gpm (5.7 lpm) maximum flow rate
- Solid brass construction
- Listed by IAPMO, CSA, NSF, and other municipalities
- Warranty:
 - Limited lifetime warranty (residential use)
 - One year (commercial use)
- Shipping weight (lbs.) 10
- Shipping dimensions (in.): 29x12x4



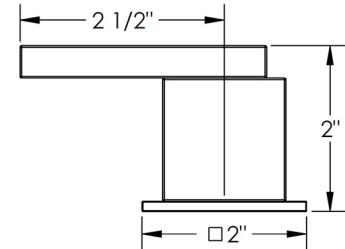
ITEM NO.	PART NUMBER	QTY.
2	WIN-2-SPT	1
4	NEOPERL CACHE REGULAR	1
6	D5-ESC-RING	1
9	172 BRASS WASHER	1
10	501-HEX-NUT	1
11	502 T GASKET	1
12	502-TEE	1
13	O-018 O-RING	1
14	502 LOCK NUT	1
15	142-LOCK-NUT	2
16	SS-502 Valve Body	2
17	SS-502 Cartridge	2
18	SUPPLY HOSE	2
20	501-LIFT-ROD	1

HANDLE TRIM

CODE: WN4



ITEM NO.	PART NUMBER	QTY.
1	D5-ESC-RING	1
2	WN4-ESC	1
3	WN4-LVR	1
4	0.0938x0.266-SS-PIN	2
5	SSCUPSKT 0.164-32x0.3125-HX-S	1



IMPORTANT INSTALLATION INFORMATION

- USE TEFLON TAPE OR PIPE SEALANT FOR THREADED CONNECTIONS
- DO NOT USE PLUMBER'S PUTTY ON ANY OF THE BRASS COMPONENTS
This will cause the finish to tarnish and void the warranty. A non-corrosive Alkoxy Silicone is recommended.
- DURING SWEATING OF LINES DO NOT OVERHEAT CASTING
Overheating may cause damage to internal mechanism
- COPPER ADAPTORS MAY BE REQUIRED TO COMPLETE YOUR INSTALLATION

For technical support, please call 888-401-1900

Rev. 1/1