

REJUVENATION

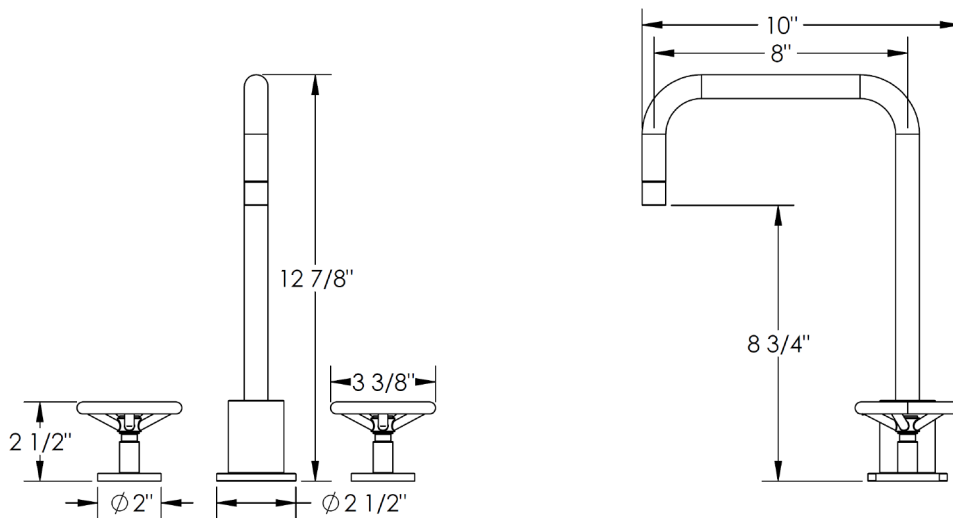
www.rejuvenation.com

31-7-BK

BROOKLYN

Kitchen Faucet Flow

Rate: 1.75 GPM



Meets the applicable requirements of ASME A112.18.1-2005/CSA B125.1-05, entitled "Plumbing Supply Fittings"